

DESCRIPTION	PART NO.	DESCRIPTION	PART NO.
A. CYBEX STRENGTH SYSTEMS DECAL (NOT SHOWN) .....	4000Y313	G. RIGHT GRIP.....	4010M072
B. SMALL CYBEX DECAL (WHITE)...	5300Y110	H. LEFT GRIP.....	4010M073
B. SMALL CYBEX DECAL (GREY).....	5300Y130	I. CUSHION WITH WEAR COVER (ITEM J) .....	4010S095-0
C. CAUTION DECAL.....	4000Y316	J. WEAR COVER .....	4010S096-0
D. QUICK RELEASE PIN.....	BH030201	K. CUSHION.....	4010S036-0
E. CABLE SUBASSEMBLY.....	4010S074	L. SERIAL NUMBER DECAL	
F. PLACARD DECAL.....	4010Y110		
UPHOLSTERY HARDWARE PACK....	4010S068		

# PARTS LIST (4010)

ITEM	QTY	PART NO.	DESCRIPTION
1	2	4000P220	GUIDE ROD COLLET
2	2	4000K224-9X	PILLOW BLOCK BEARING KIT
3	1	4010M111	GUARD
4	2	4010M091	WEIGHT STACK GUIDE ROD
5	1	4010P031	CUSHION MOUNT S/A
6	1	4010P050	CUSHION MOUNT S/A
7	1	4010S074	CABLE S/A
8	4	BG030200	STEEL PLUG .875 DIAMETER
9	2	BS110202	SPRING .70 ID X 1.22 OD X 1.53 L
10	1	FB030213	ROD END BRG (FEMALE) .375-24
11	2	GP000000	PULLEY ASSEMBLY 4.50
12	4	GP000004	PULLEY SPACER
13	2	GP000203	PULLEY CENTER
14	4	HN574300	EXPANSION NUT .190/#10-24
15	2	HS347700	WASHER .375
16	4	JC570412	BHSCS .190/10-24 X .50
17	2	JC700914	FHSCS .375-16 X .62
18	2	JC700917	FHSCS .375-16 X 1.00
19	3	JC700924	FHSCS .375-16 X 1.75
20	2	JC780930	FHSCS .500-13 X 2.50
21	4	JC780934	FHSCS .500-13 X 3.00
22	1	JN714400	JAM NUT .375-24
23	4	HN784000	HEX NUT .500-13
24	2	HS328300	SPLIT LOCKWASHER .312
25	4	JS387400	INT TOOTH LOCKWASHER .500
26	2	PP080204	PLASTIC CAP .625 ID X .68 OD
27	6	PP090000	PLASTIC INSERT 1.5 X 2.0 X 11 GA
28	2	PP090200	PLASTIC INSERT 1.75 SQ X 11 GA
29a	19.75"	PP240200	BLACK QUICK EDGE TRIM
29b	3 6	PP240200	BLACK QUICK EDGE TRIM
30	2	PP460200	PLASTIC KNOB .312-18
31	1	PU060200	BUMPER
32	2	01190	VINYL BLACK END CAP
33	2	01193	FINNED FASTENER
34	1	YA000205	THREADLOCKER ADHESIVE
35	1	4010W002	FRAMESIA
36	1	4010W024	ARMSIA
37	2	JC700920	FHSCS .375-16 X 1.25
38	2	FB030201-1	ECCENTRIC COLLAR
39	2	FB030201-3	SETSCREW

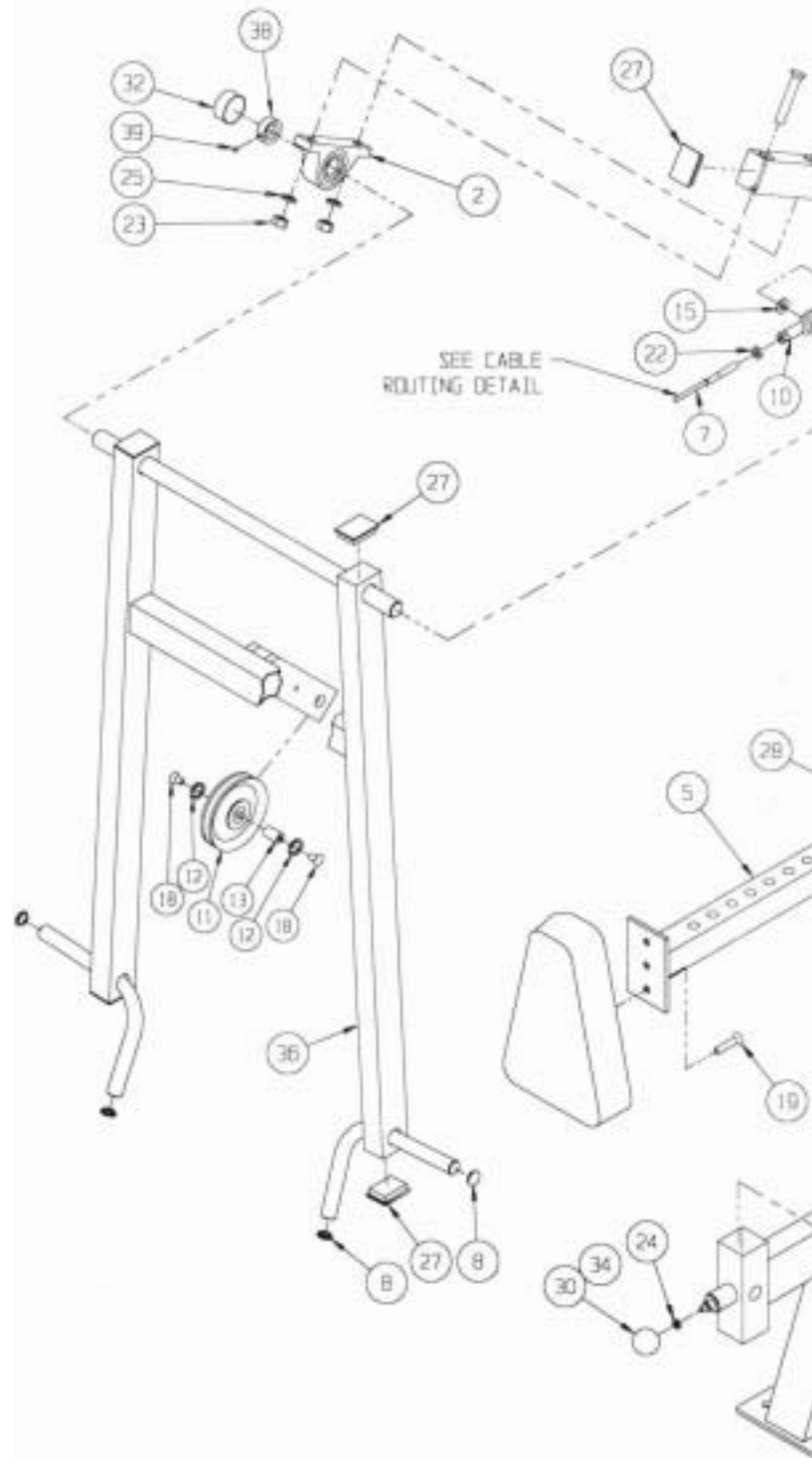
**NOTE:** x denotes specific color

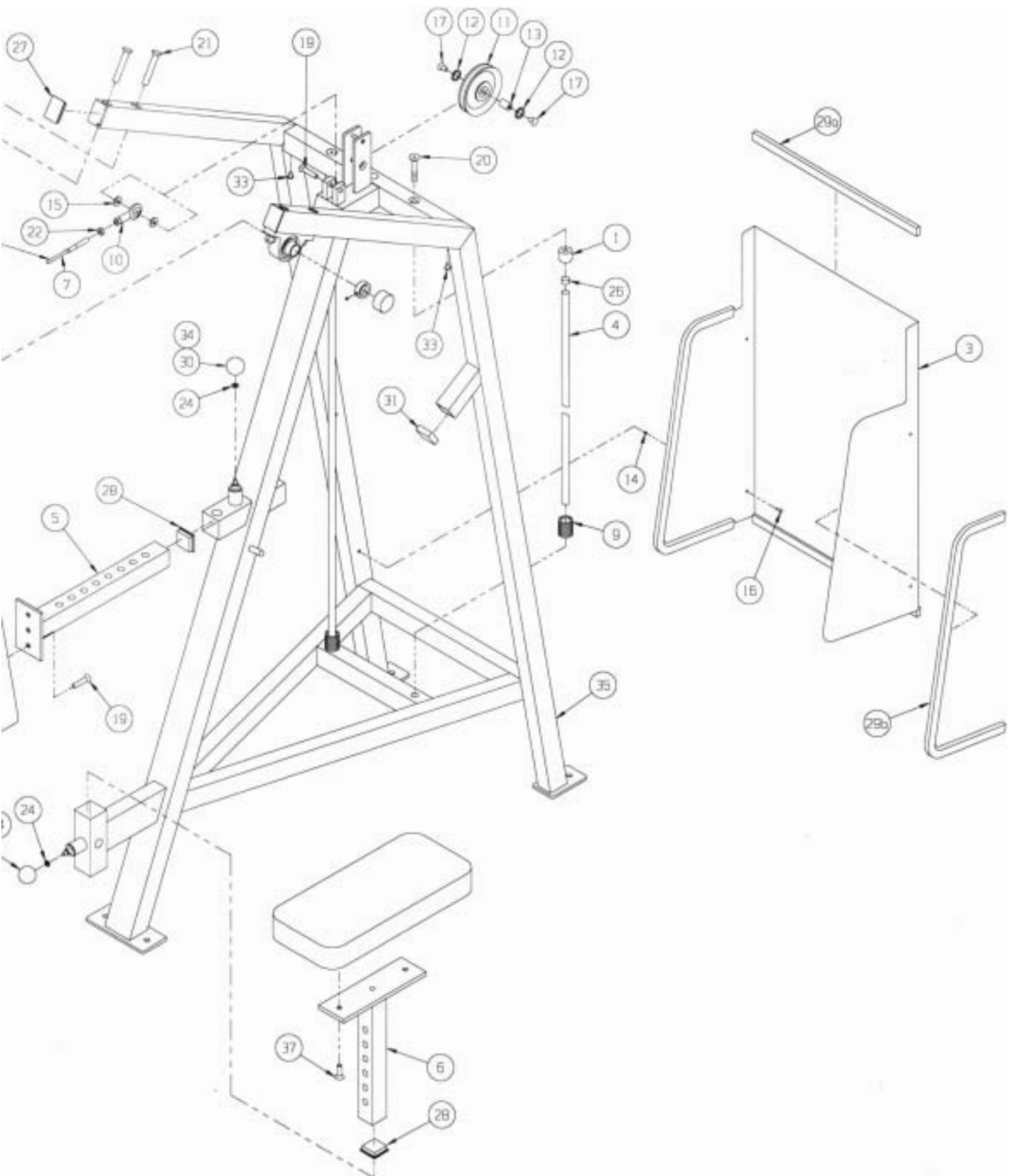
## TOOLS REQUIRED FOR ASSEMBLY

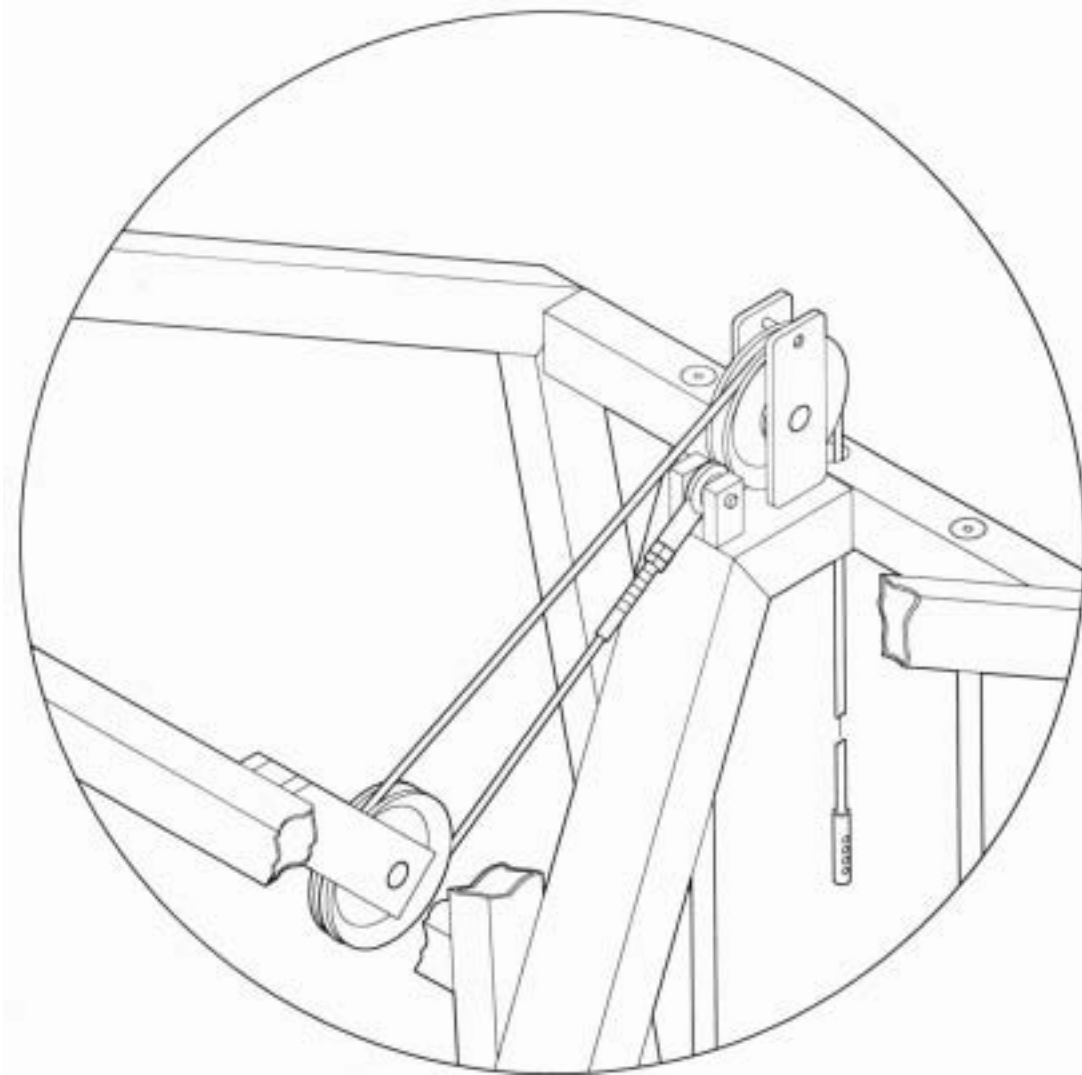
- 7/32" Allen wrench

## ASSEMBLY NOTES

- Keep all shipping packages near area of installation. Standard items include:
  - Rowing Assembly - 4010A001-9x
  - Shipping Box Assembly - 4010A060-XX
  - Top Weight Package (20-4 x 12, black) - 47008039
  - Weight Pack 1 (4 x 12, black) - 47003040
  - Weight Pack 2 (4 x 12, black) - 47008043
- Install weight stack.
- Install cushions.







CABLE ROUTING DETAIL

**CYBEX**<sup>®</sup>  
**STRENGTH SYSTEMS**